

BOLT MINI

SPECIFICATION SHEET
STATIC WHITE

HIGH PERFORMING DMX WORK LIGHT
FOR THEATRICAL APPLICATIONS

Housing

60W / 100W : 4.14" x 11" x 9.06" | 9.7 lbs
150W / 200W : 8.26" x 11.41" x 9.05" | 14.6 lbs

Material

Housing : High Pressure Die-Cast Aluminum
Lens : Tempered Glass

Power Input

60W, 100W, 150W, 200W | 120V, 120-277V

Lumen Output

7,780 lm (60W), 11,850 lm (100W), 21,330 lm (150W), 26,295 lm (200W)

Dimming

Standard 1-10V : Dims to 10%
TRC : Line-voltage phase control, dims to 1%
DMX : High resolution dims to 10%

Color Quality

CRI 75, CRI 85, CRI 93

Rated Life

> 100,000 Hours (L70)

Finish



Black

Color Temperature



3000K



3500K



4000K



5000K

Optics



30°



60°



Wide

Mounting



Bracket

Warranty

5 Year limited warranty

Listing



Small Form Factor DMX Work Light

The Bolt Mini is a small but powerful DMX work light compatible with 0-10V, Forward or Reverse Phase, and 8-bit DMX dimming controls. Power connection is available in a hard-wired or PowerCON True1 Outlet option. Available up to 26,295 delivered lumens, several beam spread optics and theatrical mounting options such as C-Clamp.



METEOR

meteor-lighting.com

SPECIFICATION

PROJECT NAME

DATE

CATALOG #

QUANTITY

The product configurator function on this page works only with the latest version of Chrome or Adobe Acrobat Reader.

<input type="text" value="BLTMW"/>	MODEL	BOLT MINI DMX WORK LIGHT		
<input type="text"/>	WATTAGE	60 60W 200 200W	100 100W	150 150W
<input type="text"/>	CCT / CRI	308 3000K / CRI85 359 3500K / CRI93 RBL¹ Royal Blue	309 3000K / CRI93 408 4000K / CRI85	358 3500K / CRI85 507 5000K / CRI75
<input type="text"/>	VOLTAGE	120 120V	UNV 120 – 277V	
<input type="text"/>	DIMMING	NOD Non-Dimming DMX DMX dims to 10% (XLR Sockets)	STV Standard 1-10V dims to 10% DMXR DMX dims to 10% (RJ45 Sockets)	TRC² Line-voltage phase control, dims to 1% DMXP³ DMX dims to 10% (Phoenix Connector)
<input type="text"/>	BEAM ANGLE	30 30°	60 60°	WD⁴ Wide
<input type="text" value="BLK"/>	FINISH	BLK Black		
<input type="text" value="BRK"/>	MOUNTING	BRK Bracket		
<input type="text"/>	POWER	HW⁵ Hard Wired	TRU1 PowerCON True1 Outlet	
<input type="text"/>	ACCESSORIES	WG⁶ Wire Guard (IK10 Rating) DF⁹ Diffuser	GSB⁷ Glare Shield Baffle CLP C-Clamp Mount	GSV⁸ Glare Shield Visor

CLEAR FORM

¹ RBL is not compatible with 60, 100
² TRC must be specified with 120V, and is not compatible with 150, 200
³ DMXP is not compatible with 150, 200
⁴ WD option reduces delivered lumens by ~20%
⁵ HW includes 2ft whip and bare conductor ends
⁶ WG option reduces delivered lumens by ~14%
⁷ GSB option reduces delivered lumens by ~40%
⁸ GSV option reduces delivered lumens by ~25%
⁹ DF option reduces delivered lumens by ~12% (~20% with WD)

TECHNICAL DETAILS

Electrical

- 7,780 lm (60W), 11,850 lm (100W), 21,330 lm (150W), 26,295 lm (200W)
- Power Input : 120V, Universal (120-277V)
- Operating Temperature : -40°F~104°F
- Surge Protection : Built-in is 4KV

LED Features

- Color Temperature : 3000K, 3500K, 4000K, 5000K
- CRI 75, CRI 85, CRI 93
- Long lasting LED luminaire tested under TM21 lumen maintenance L70 @ 100,000 Hrs

Optics

- Precision molded high transmittance clear PC lens
- Beam Angle : 30°, 60°, WD

Advanced Dimming

- Proprietary VX Driver™ is integrated across all dimming options, delivering video flicker-free performance and full compliance with IEEE 1789.
- Standard 1-10V : Dims to 10%
- TRC : Line-voltage phase control, dims to 1%
- DMX : Dims to 10% (XLR)
- DMXR : Dims to 10% (RJ45)
- DMXP : Dims to 10% (Phoenix Connector)

Housing

- Dimension :
60W / 100W : 4.14" x 11" x 9.06"
150W / 200W : 8.26" x 11.41" x 9.05"
- Material : High Pressure Die-Cast Aluminum, Tempered Glass
- Weight :
60W / 100W : 9.7 lbs
150W / 200W : 14.6 lbs

Mounting

- Bracket

Warranty

- 5-year limited warranty

Listing

- ETL Damp Location Listed
- UKCA
- FCC
- CE
- IK10

PERFORMANCE SUMMARY*

	Delivered Lumens			
CCT/WATTAGE	3000K	3500K	4000K	5000K
60W	6,930lm	7,200lm	7,170lm	7,780lm
100W	10,535lm	10,800lm	10,990lm	11,850lm
150W	18,355lm	19,000lm	19,125lm	21,330lm
200W	22,950lm	23,800lm	23,990lm	26,295lm

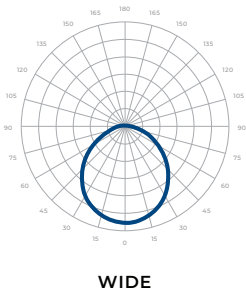
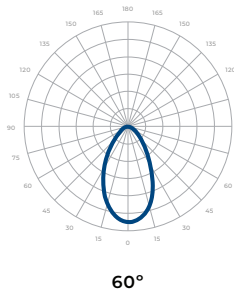
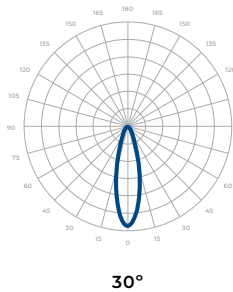
*Beam Angle: 60° *Tolerance ±8%

*For specifications requiring a CRI of 93, apply a 0.75 multiplier to the lumen output values listed.

	Current Consumption	
WATTAGE / VOLT	120V	277V
60W	0.55A	0.22A
100W	0.92A	0.4A
150W	1.38A	0.6A
200W	1.83A	0.8A

PHOTOMETRICS

Below is a typical photometric representation of the Bolt Mini fixture. Please download IES files to ensure exact photometric value.

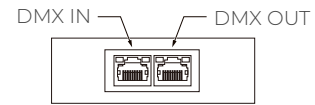


DMX REQUIREMENTS

The Bolt Mini fixture with DMX is a **single channel dmx** unit. When placing an order, please indicate DMX address. (The DMX address will be listed on the back of the fixture). Do not connect more than 32 fixtures per DMX daisy chain.

The fixture can be connected with XLR, RJ45 sockets or Phoenix Connector. DMX cables **are not** included; please refer to compatible DMX cabling list for more information. The final fixture on each daisy chain should be terminated by the use of a DMX terminator purchased from a 3rd party or from Meteor.

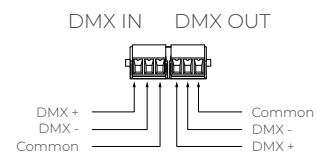
CONNECTION	RJ45 (CAT5e)	5-PIN XLR
Common	WHITE/BROWN(PIN7) & BROWN (PIN 8)	PIN 1
Signal -	ORANGE (PIN 2)	PIN 2
Signal +	WHITE/ORANGE (PIN 1)	PIN 3
Spare	-	PIN 4
Spare	-	PIN 5



RJ45 Sockets



XLR Sockets



Phoenix Connector

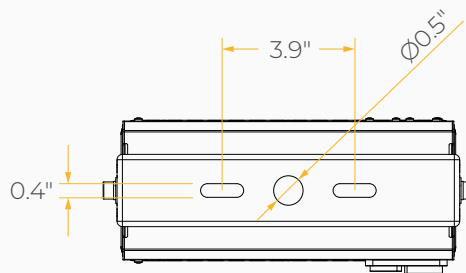
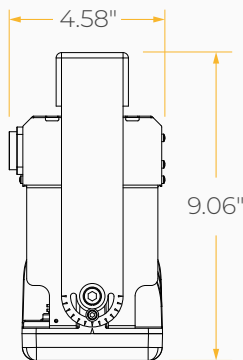
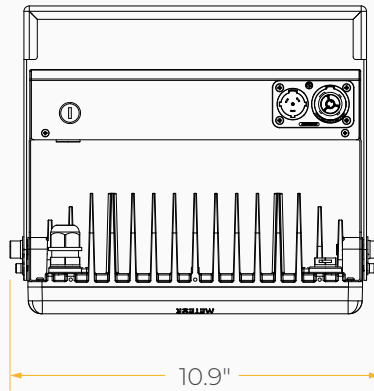
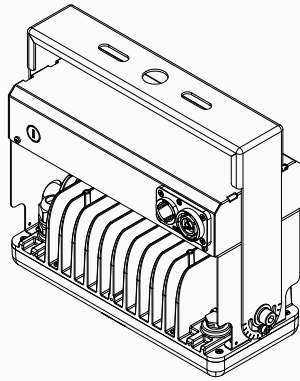
COMPATIBLE DMX CABLING LIST

DMX uses a cable consisting of two twisted pairs plus a shield to carry data. The cable must be specifically impedance matched for the digital DMX signal, meaning that microphone cable or other non-rated cable **must not be used to carry DMX**. Network cable (Cat5, 5e or 6 cable) may be used to carry DMX in an installation; however special consideration must be given to shielding and termination. Under no circumstances should solid core cable like Cat5 be terminated into a screw down connector.

Meteor recommends the use of Belden 9729 or Belden 9841 for DMX installation. Belden 9729/9841 is a shielded twisted pair cable, which allows for a spare pair for 'out and back' type terminations if needed.

DIMENSIONS

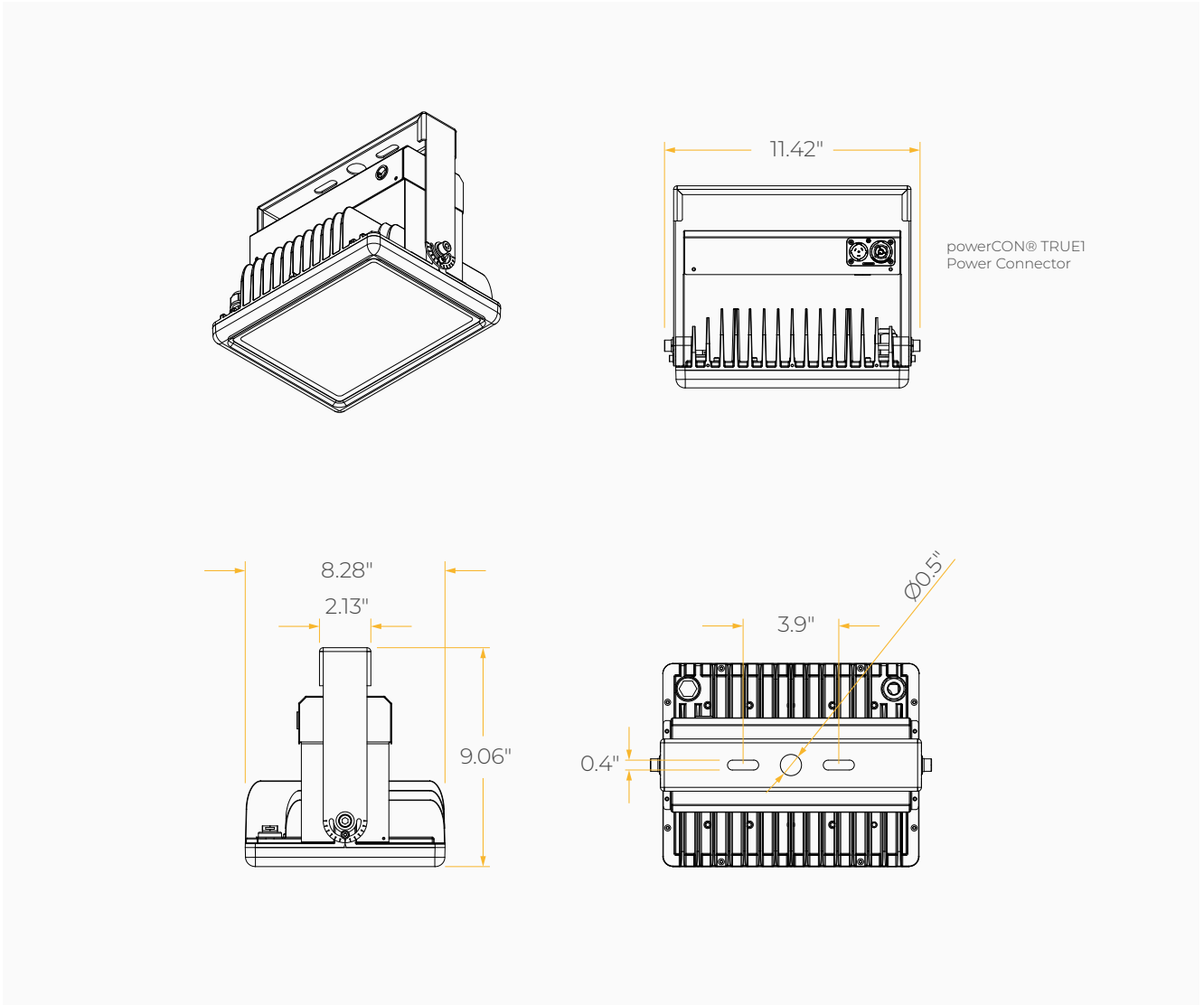
60W / 100W



powerCON® TRUE1
Power Connector

DIMENSIONS

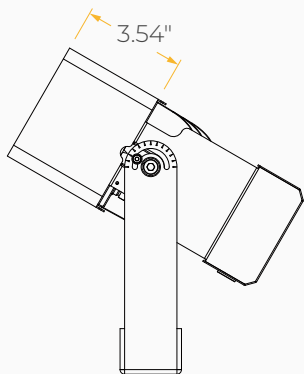
150W / 200W



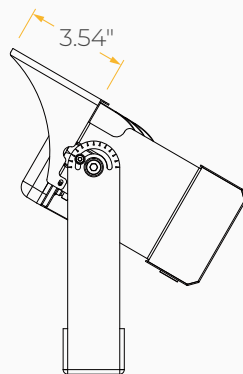
ACCESSORIES

60W / 100W

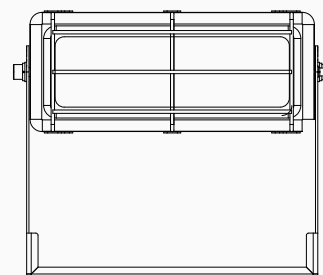
Glare Shield Baffle



Glare Shield Visor

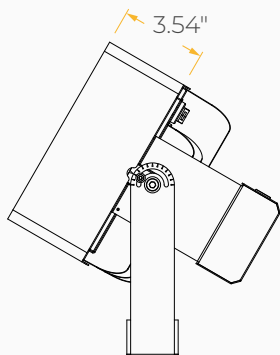


Wire Guard

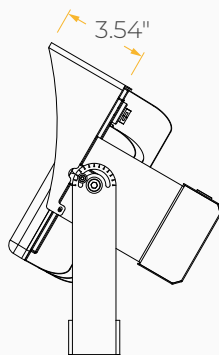


150W / 200W

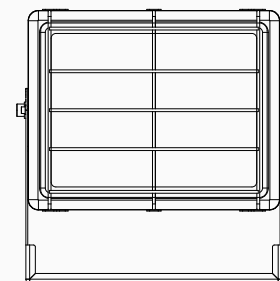
Glare Shield Baffle



Glare Shield Visor



Wire Guard



C-clamp Mount

